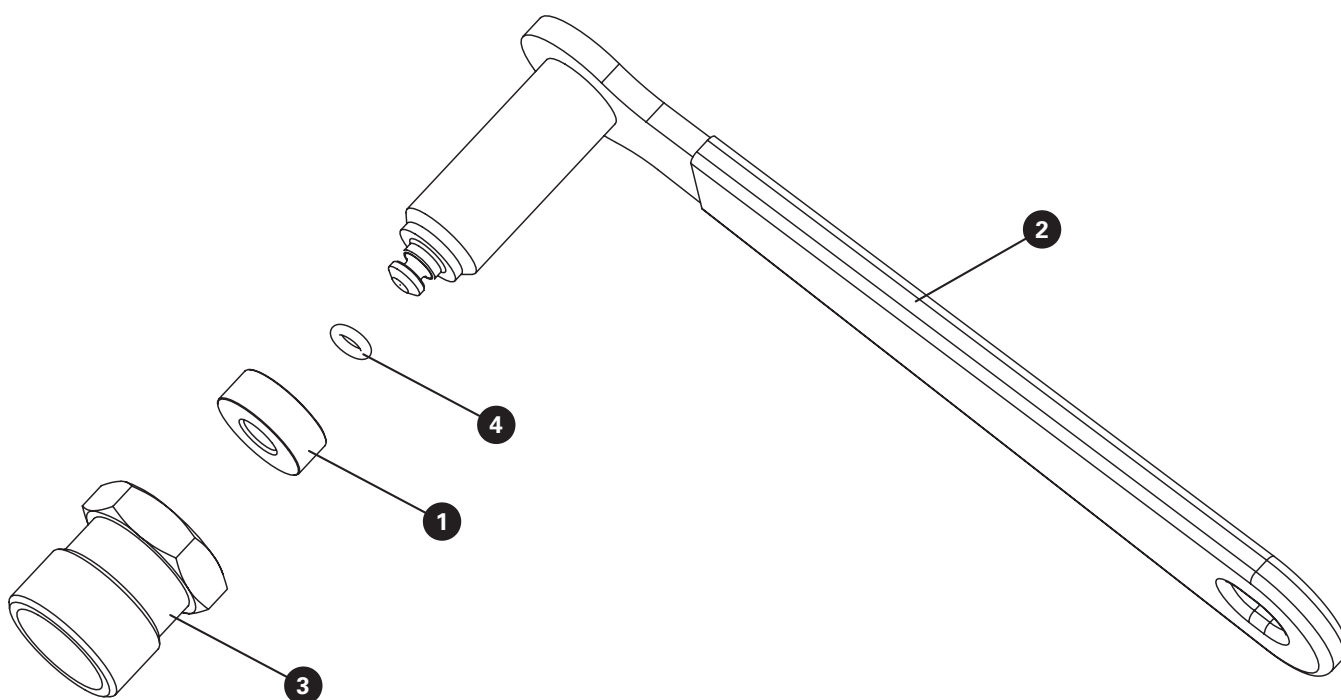


PARK TOOL PULLER FOR SPLINED OCTALINK and ISIS DRIVE CRANKS CCP-44



<u>Ref. No.</u>	<u>Part No.</u>	<u>Description</u>
1	1203	Swivel Foot
2	1204-44	Handle and Stud Weldment
3	1206	Hex Nut
4	1625-2	O-Ring